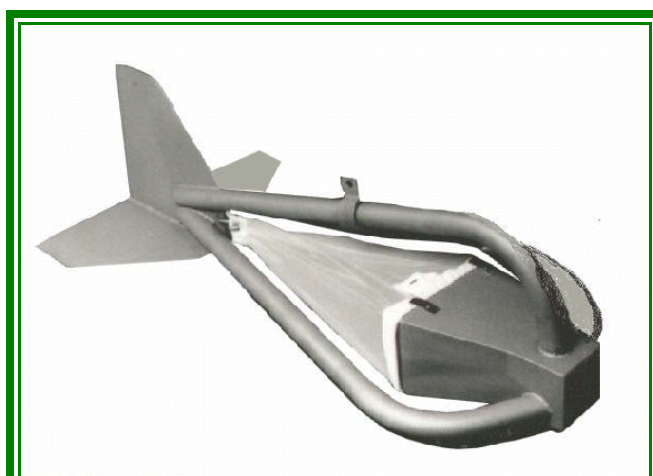


BED LOAD SAMPLERS MODELS BLS30 & BLS48



*Bed load Samplers
Model BLS30 & BLS48*

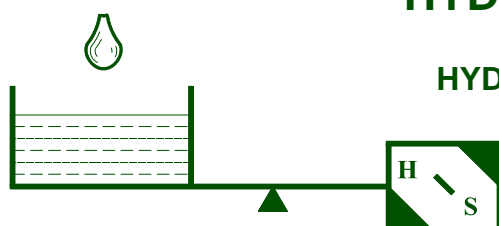
- < **Winch Held Sampler**
- < **For Use in Natural Streams
Carrying Coarse Sediments**
- < **Robust Stainless Construction**
- < **Easy to Use**
- < **Tail Assembly Stabiliser**

**ISO
9001**

QUALITY SYSTEM
CERTIFIED

HYDROLOGICAL SERVICES PTY.LTD

HYDROLOGICAL INSTRUMENTS & EQUIPMENTS
DESIGNED AND MANUFACTURED
BY HYDROLOGISTS



DESCRIPTION

Hydrological Services Bed Load Samplers are designed to sample sand, silt, gravel or rock debris carried by a stream on or immediately above its bed.

The BLS 30 and BLS 48 pressure difference cable suspended Bed Load samplers are used in natural streams for carrying coarse sediments.

OPERATION

The Columbus pattern torpedo shape used in stream gauging weights has been adopted to reduce drag.

The body is all welded stainless steel construction, complete, with a tail fin arrangement to provide flow direction orientation and a sliding collar to allow adjustment of balance point based on stream flow condition.

The sampler is attached to the winch cable C1 Connector by the adjustable collar.

The collar is set so that the sampler will touch the water tail first to aid with rapid orientation with the streamlines of flow. This type of suspension insures that the sampler orifice will lift up immediately when the unit is raised from the bed to eliminate the loss of sample.

Samples are collected in a polyester mono filament bag of 0.2 mesh to A.S.T.M. specifications for uniformity, resistance abrasion and wear - will not absorb water.

SPECIFICATION

Weight:

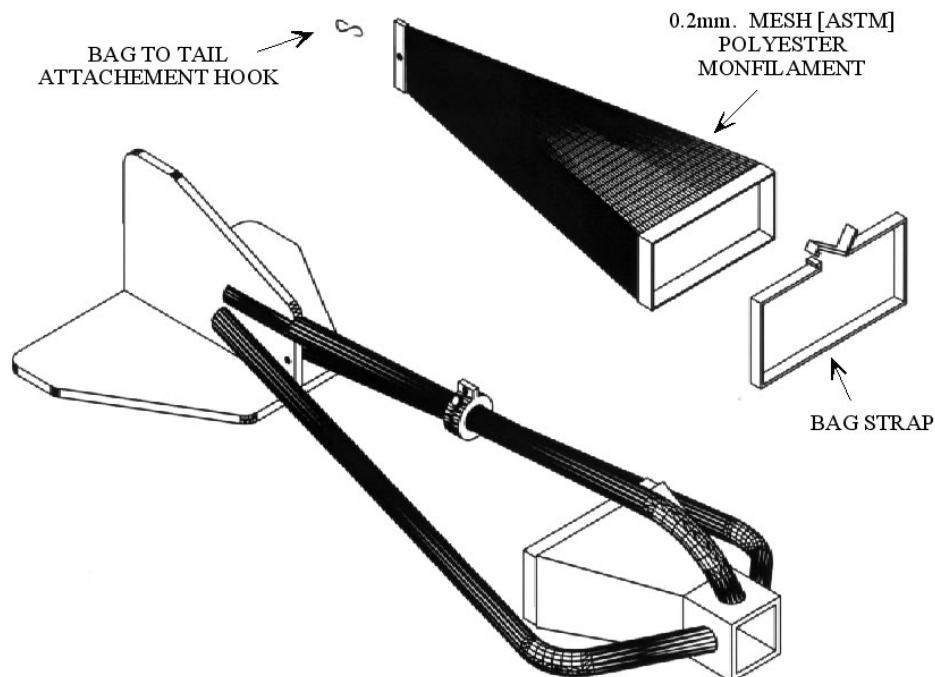
Model BLS 30	30 Kgs (65 lb)
Model BLS 48	48 Kgs (106 lb)

Orifice Size:

76mm x 76mm (3" x 3") 1.4 Expansion

Bag:

Polyester Monofilament 0.2 mm Mesh



HYDROLOGICAL SERVICES PTY.LTD.

48-50 SCRIVENER STREET, WARWICK FARM, 2170 SYDNEY, AUSTRALIA.
A.B.N. 37 000 732 954
PO Box 332 Liverpool BC 1871
PH: 02 9601 2022 (INT.612 9601 2022)
FAX: 02 9602 6971 (INT.612 9602 6971)
Email: sales@hydrologicalservices.com
Website: www.hydrologicalservices.com

Distributed by