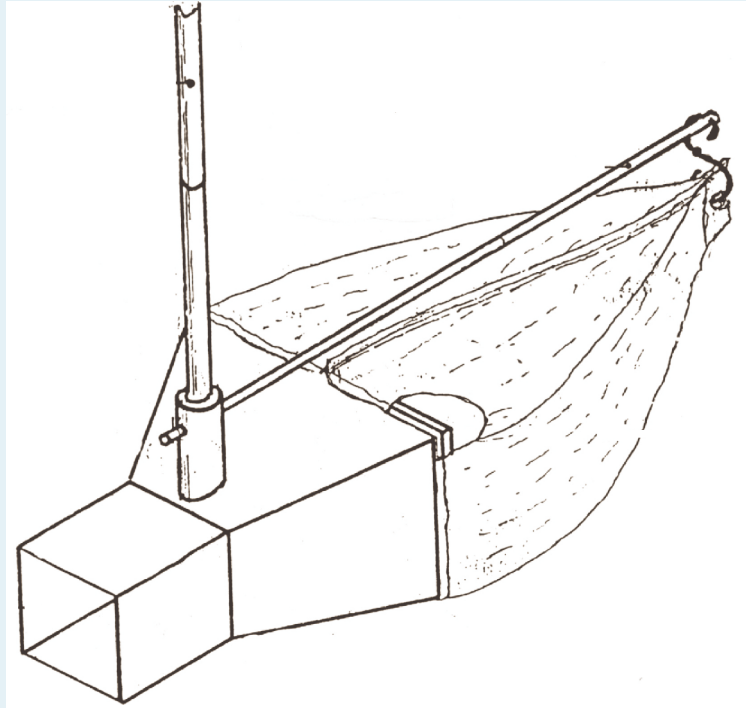


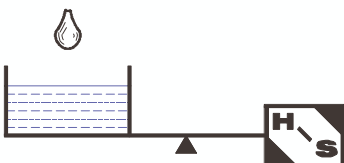
## BEDLOAD SAMPLER MODEL BLS-H



### BLS-H



- ▶ **HAND HELD SAMPLER**
- ▶ **EASY TO USE**
- ▶ **USED FOR WADING MEASUREMENTS**
- ▶ **FIELD SAMPLE WEIGHING SYSTEM**
- ▶ **CAST ALUMINIUM CONSTRUCTION**



**HYDROLOGICAL SERVICES PTY.LTD.**

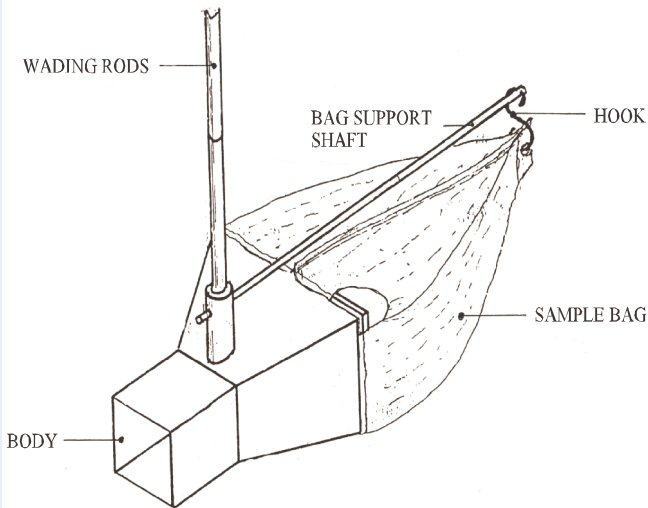
**HYDROLOGICAL INSTRUMENTS & EQUIPMENT**

**DESIGNED & MANUFACTURED**

**BY HYDROLOGISTS**

## DESCRIPTION

Hydrological Services Bedload Sampler Model BLS-H is a handheld sampler for wading measurements in natural streams carrying coarse sediments. The unit is supplied with wading rods, for lowering sampler in the stream or river.

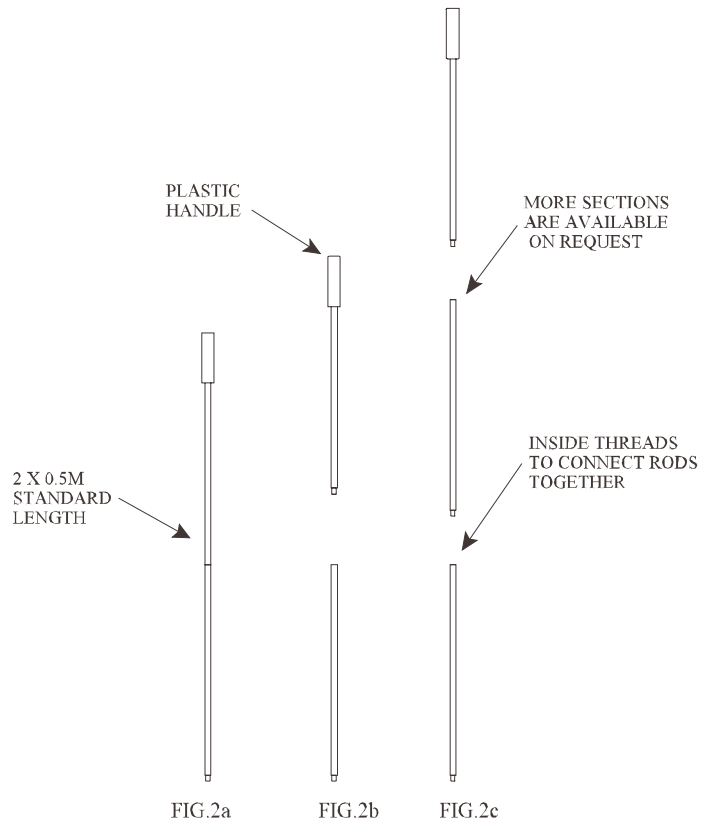


**FIG.1**

## SPECIFICATION

Orifice:	76mm x 76mm
Body:	Epoxy coated cast aluminium
Wading Rods:	(2 X 0.5 m ) Stainless Steel Sections supplied as standard. Additional 0.5 m sections are available on request
Sample Bag:	Polyester mono filament bag of 0.2mm mesh - will not absorb water.
Carry Bag:	Canvas
Packed Weight :	4 kg
Packed Dimension:	(700x300x300) mm

## ACCESSORIES



**FIG.2**

Figure 2 shows the wading rods used to lower sampler in stream or river. All wading rods are fitted with plastic handle at the top end for easier grip.

Figure 2a shows the standard length supplied with the unit.

Figure 2b and Figure 2c shows that rods have inside threads so more sections can be purchased and screwed together to achieve the desired length.

**DISTRIBUTED BY**

