

# OUTPOST

## Model WDC100/WDC100B

### Special points of interest:

- Up to 1Km range
- 8 selectable frequencies 916.5 MHz to 923.5 MHz
- Licence free Band
- Central receiver which can collect data from up to 8 separate transmitters
- Low power consumption (typically 10µA in sleep mode).
- Accepts different input signals, Digital, 4-20mA and SDI-12.
- Receiver has LCD + Keys to display the data and set configuration parameters

### INTRODUCTION

The Hydrological Services Wireless Data Collector WDC100 has been designed using surface mount technology to provide a very small, ultra low power wireless SDI-12 and 4-20mA transmitter / SDI-12 receiver network that can be used in harsh environments for extended periods.

The Wireless Data Collector's primary purpose is to periodically measure various signals at remote locations, including a 4-20mA transducer, up to 9 x SDI-12 data variables and a digital contact closure (rainfall or flow meter input) and to wirelessly transmit the data to a central location and make the data available to a data logger via an SDI-12 interface.

A central receiver can collect data from up to 8 separate transmitters, each with a very low power consumption (typically 200uA while asleep) which makes it ideal for remote sites where long battery life is important. The receiver also has an LCD + keys to display the data and set configuration parameters.



**WDC100  
Outpost Receiver**



**WDC100  
Outpost Transmitter**



**WDC100B  
Outpost Transmitter  
With Buoy**

### Inside this issue:

Special point of interest	<b>1</b>
Introduction	<b>1</b>
Photos	<b>1</b>
Operation	<b>2</b>
Specifications	<b>2</b>

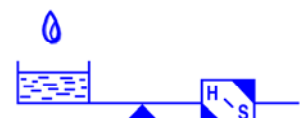
**Designed & Manufactured  
By  
Hydrological Services Pty Ltd**

**Address:**

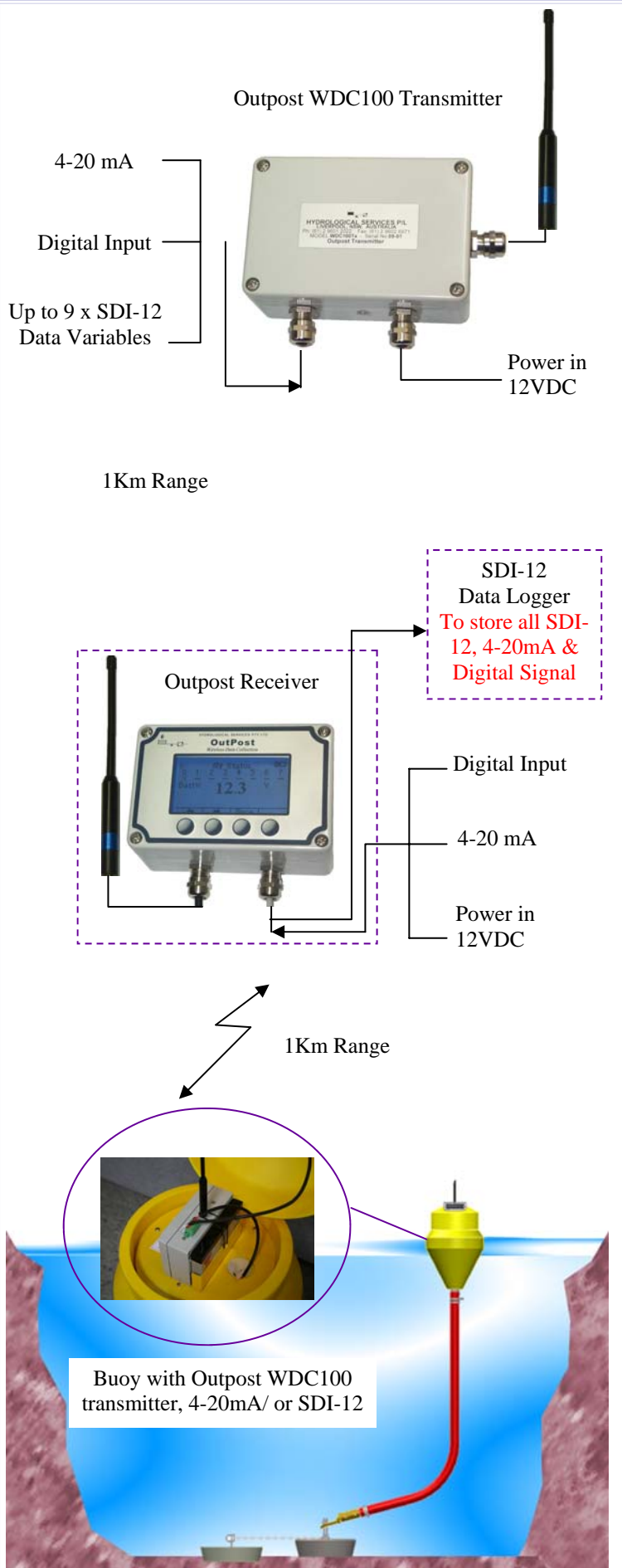
48-50 Scrivener Street  
 Liverpool, NSW, 2170, Australia  
 Ph. 61 2 9601 2022 Fax. 61 2 9602 6971  
 Web: [www.hydrologicalservices.com](http://www.hydrologicalservices.com)  
 Email: [sales@hydrologicalservices.com](mailto:sales@hydrologicalservices.com)



### Distributed By:



# OPERATION



# SPECIFICATIONS

Transmitter:	4-20mA Input 16 bit resolution 8 samples over 1 sec
Transmitter Inputs:	1 x 4-20mA 1 x Digital Input 9 x SDI-12 inputs Volume Calculated from 4-20mA Water Level Battery Voltage
Receiver Inputs	1 x 4-20mA 1 x Digital Input Battery Voltage Volume Calculated from 4-20mA Water Level
Indicators	WDC100 Transmitter - Status LED indicator  WDC100 Receiver – 128 x 64 Graphics LCD
Controls	WDC100 Receiver – 4 x Pushbuttons
Connections	Screw less Terminals
Radio Frequency	916.5 to 923.5MHz (in 1MHz steps)
Transmit Power	10mW
Range	1km (0.62 miles) line of sight
Dimensions	125mm x 80mm x 57mm (L x W x D)