

DIMENSIONS IN MILLIMETRES

DO NOT SCALE

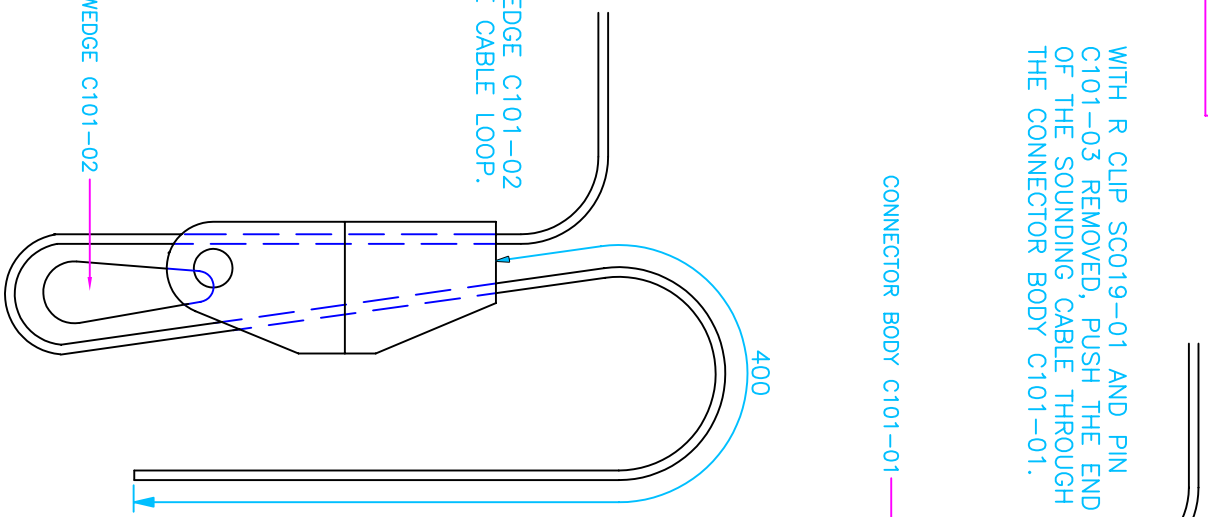
WITH R CLIP SC0019-01 AND PIN C101-03 REMOVED, PUSH THE END OF THE SOUNDING CABLE THROUGH THE CONNECTOR BODY C101-01.

CONNECTOR BODY C101-01

400

FIT WEDGE C101-02 INSIDE CABLE LOOP.

WEDGE C101-02



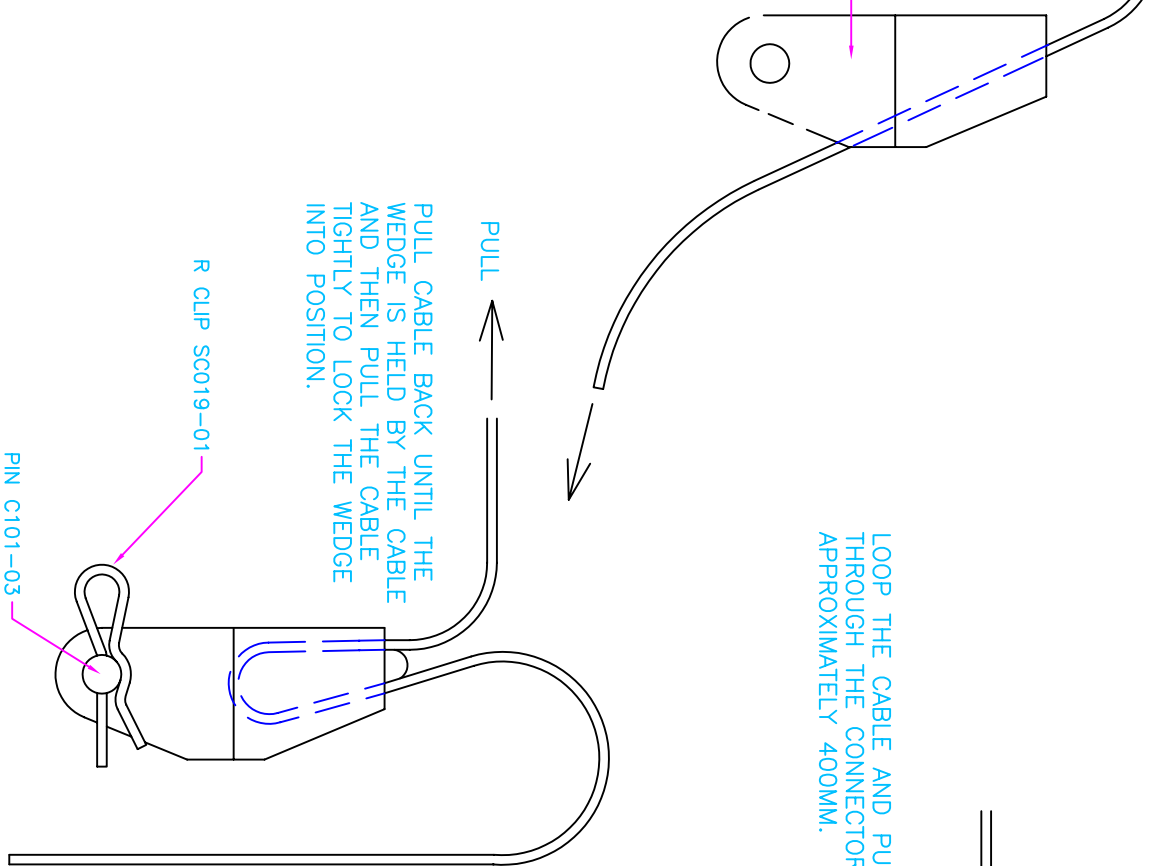
LOOP THE CABLE AND PUSH BACK THROUGH THE CONNECTOR FOR APPROXIMATELY 400MM.

PULL CABLE BACK UNTIL THE WEDGE IS HELD BY THE CABLE AND THEN PULL THE CABLE TIGHTLY TO LOCK THE WEDGE INTO POSITION.

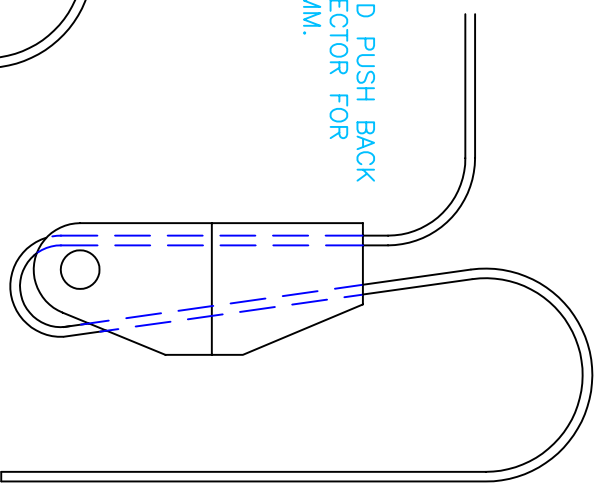
PULL

R CLIP SC0019-01

PIN C101-03



FIT ANGLE PLUG IN ACCORDANCE WITH DRAWING AP01.



HYDROLOGICAL SERVICES PTY LTD		REMOVE ALL BURRS AND SHARP EDGES	
SAN WINCH ASSEMBLY C1 CONNECTOR		SCALE	NTS
		DRAWN BY	IMCD
		DATE	3.98
		CHECKED BY	
		DRAWING NO.	C1
REV	DESCRIPTION	DATE	APP
A	FIRST ISSUE	3.3.98	