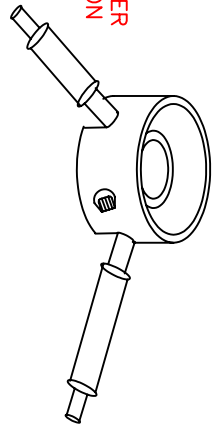
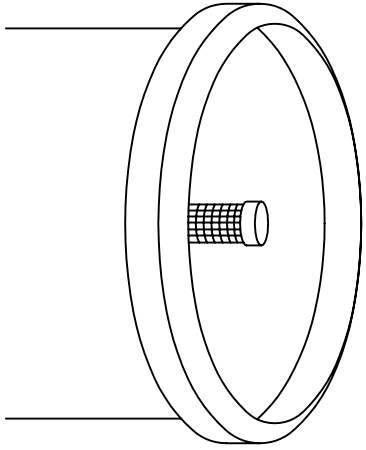


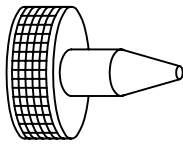
A. WET THE RAINGAUGE WITH 50MLS OF WATER PRIOR TO CALIBRATION



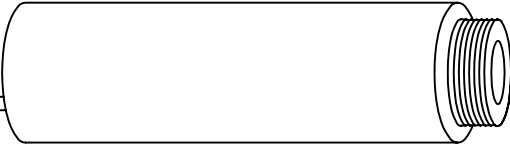
B. POSITION THE THREE LEGGED ADAPTOR ON THE RIM OF THE RAINGAUGE



C. REMOVE NOZZLE (ANTICLOCKWISE ROTATION)

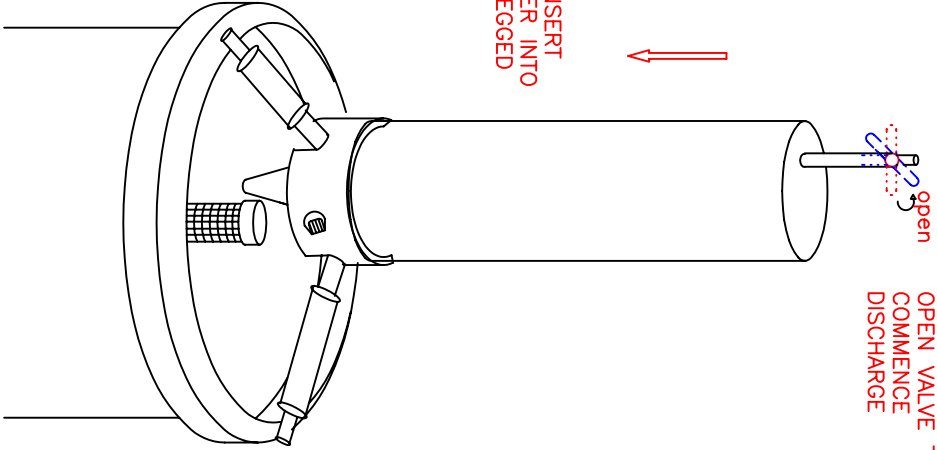


E. FILL DISPENSER TO OVERFLOWING



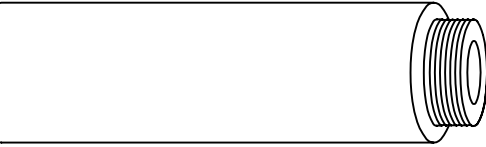
NOMINAL DISPENSER CAPACITY = 653 MLS

G. OPEN VALVE TO COMMENCE DISCHARGE



F. CAREFULLY INSERT THE DISPENSER INTO THE THREE LEGGED ADAPTOR

D. VALVE MUST BE SHUT.



CALIBRATION

AS SOON AS THE TAP IS OPENED, THE CONTENTS (653MLS) WILL COMMENCE FLOWING INTO THE RAINGAUGE CATCH AT A RATE EQUIVALENT TO 100 MM OF RAINFALL PER HOUR. THIS TABLE DISPLAYS THE THEORETICAL NUMBER OF BUCKET TIPS THAT SHOULD BE ACHIEVED.

BUCKET SIZE	200MM CATCH	203MM CATCH
0.2 MM	103.9	100.9
0.5 MM	41.6	40.4
1.0 MM	20.8	20.2
0.01 INCH	81.8	79.4

THEORETICAL NUMBER OF TIPS

IF THE OBSERVED RESULTS ARE UNACCEPTABLE THEN REFER TO THE RAINGAUGE INSTRUCTION MANUAL FOR APPROPRIATE ADJUSTMENTS.

REV	DESCRIPTION	DATE	APPD
D	ADD INSTRUCTIONS	11.06	
C	NEW THREE LEGGED ADAPTOR	20.10.99	
B	NEW NOZZLE AND VALVE	20.10.99	
A	FIRST ISSUE	20.5.97	

HYDROLOGICAL SERVICES PTY LTD

FIELD CALIBRATION

INSTRUCTION FOR USE

REMOVE ALL BURRS AND SHARP EDGES

DRAWING NO. A4 FCD SHT303

SCALE	NTS
DRAWN	FGEM
DATE	10.99
CHECKED	